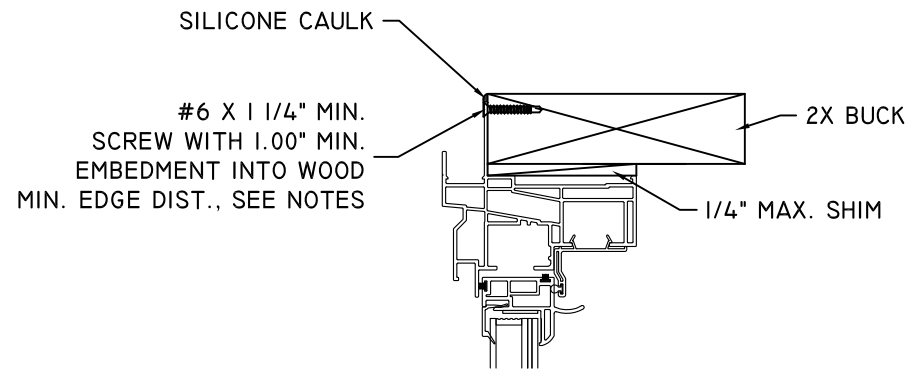
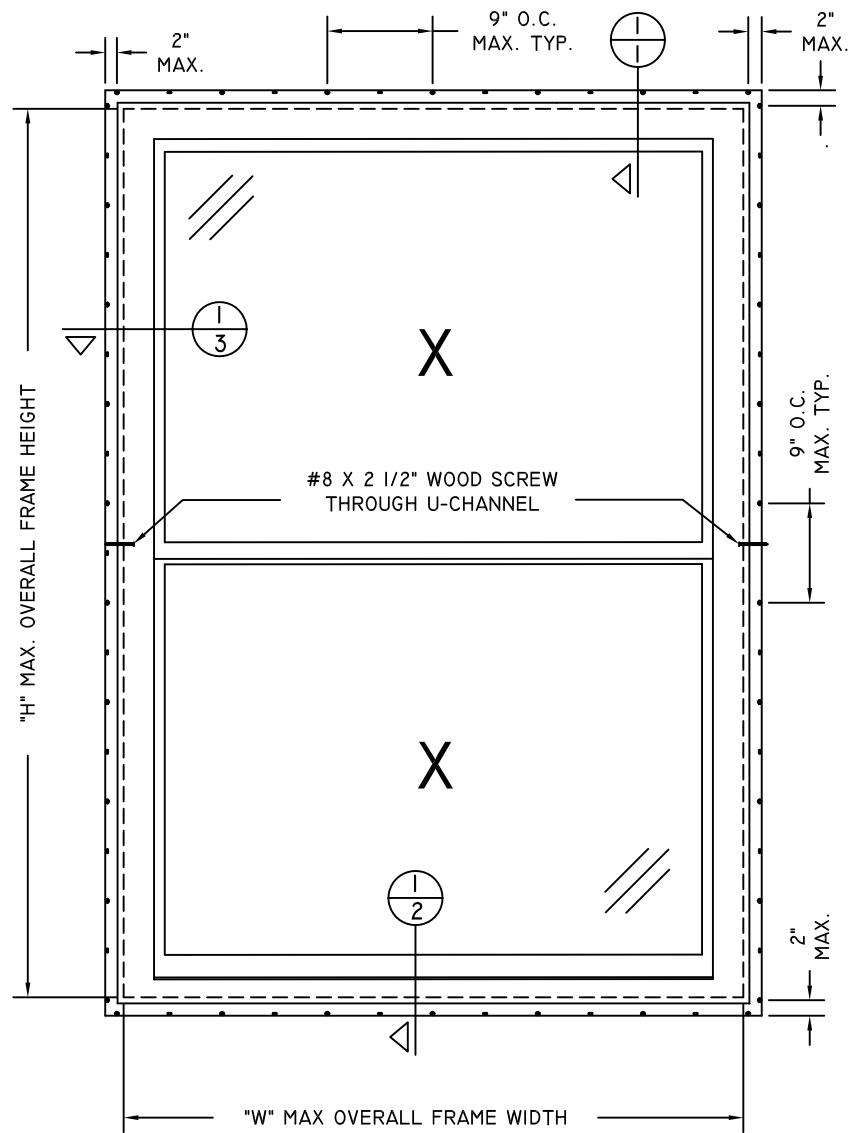


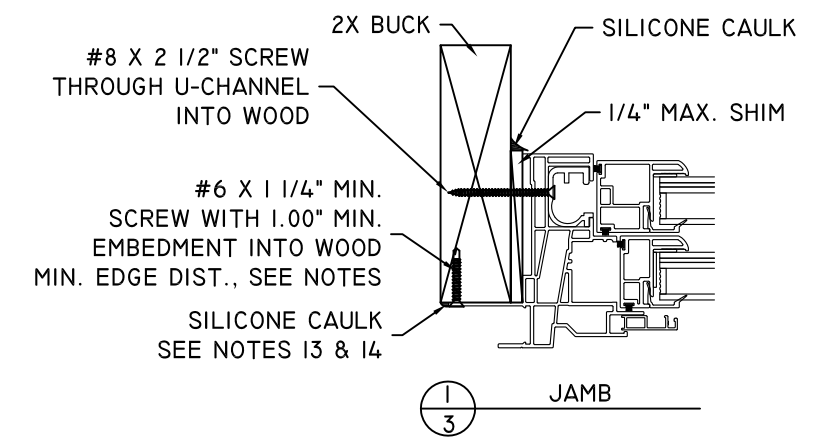
MODEL DESIGNATION: SIMONTON DOUBLE HUNG SERIES 07-20 VINYL IMPACT WINDOW
 MAXIMUM OVERALL NOMINAL SIZE: SEE SIZE CHART
 DESIGN PRESSURE RATING: SEE SIZE CHART
 USABLE CONFIGURATIONS: $\frac{X}{X}$
 GENERAL DESCRIPTION: THE HEAD, SILL, AND SIDE JAMBS ARE EXTRUDED PVC. THE WALL THICKNESS THROUGH WHICH THE ANCHOR SCREW PENETRATES IS A MINIMUM OF 0.070".

NO P.E. SEAL REQUIRED
 INSTALLATION SUPPORTED
 BY AAMA TEST REPORTS

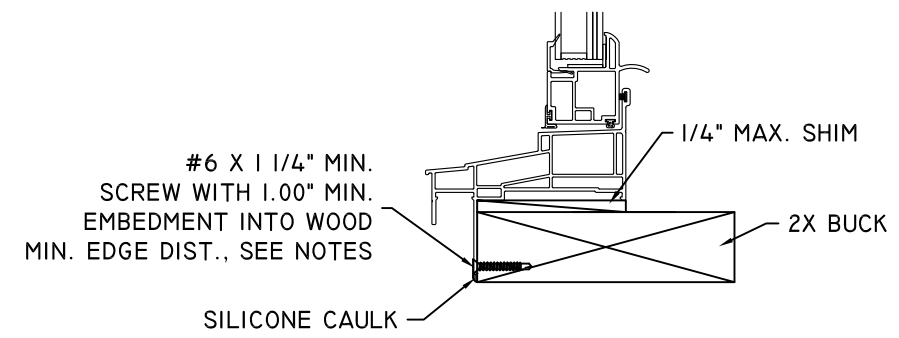
REV. #:	REVISIONS:	REVISED BY:	DATE:
1	ADDED SIZE CHART - EC 18-041.	LMH	05/02/18
2	UPDATED FOR 7TH EDITION 2020 FBC	LMH	11/29/20
.	.	.	.
.	.	.	.
.	.	.	.



①
① HEAD



①
③ JAMB



①
② SILL

SIZE CHART		
OVERALL SIZE		DP RATING
WIDTH "W"	HEIGHT "H"	
53"	76"	±50 PSF
53"	76"	+55/-60 PSF
37"	84"	±60 PSF
37"	76"	+65/-70 PSF

<p>DISCLOSURE STATEMENT THIS DOCUMENT IS THE PROPERTY OF SIMONTON WINDOWS, WHICH RETAINS ALL PROPRIETARY AND OTHER RIGHTS TO ITS SUBJECT MATTER. THIS DOCUMENT IS PROVIDED TO THE RECIPIENT ON THE EXPRESSED CONDITION THAT IT IS NOT TO BE DISCLOSED, REPRODUCED IN WHOLE OR PART, NOR USED IN CONJUNCTION WITH THE DESIGN, MANUFACTURE OR REPAIR OF GOODS FOR ANYONE OTHER THAN SIMONTON WINDOWS WITHOUT ITS CONSENT. THIS RESTRICTION DOES NOT LIMIT THE RECIPIENT'S RIGHTS TO UTILIZE INFORMATION CONTAINED IN THIS DOCUMENT WHICH IS PROPERLY OBTAINED FROM ANOTHER SOURCE.</p>	MATERIAL:	<p>DIMENSIONAL TOLERANCES UNLESS OTHERWISE SPECIFIED</p> <p>DECIMALS ANGLES</p> <p>.X ± .03 .XX ± .01 .XXX ± .005</p>	<p>SIMONTON WINDOWS 1 Cochrane Avenue Pennsboro, WV 26415</p>	SIZE: B	DRAWING NO.: IN0589	REV.: 2
	RMS FINISH: EXCEPT AS NOTED			DRAWN BY: LMH	DATE: 10/16/17	
	ALLOY & TEMPER:			CHECKED BY:	DATE:	
	WEIGHT: VOLUME:			APPR'D BY:	DATE:	
SURFACE AREA: PERIMETER:	SCALE: FIT	SHEET: 1 of 2	SERIES: 07-20 IMPACT DOUBLE HUNG			
FINISH TREATMENT:	TITLE: 2X BUCK INSTALLATION (AS TESTED)					
FILE: FL 5419						

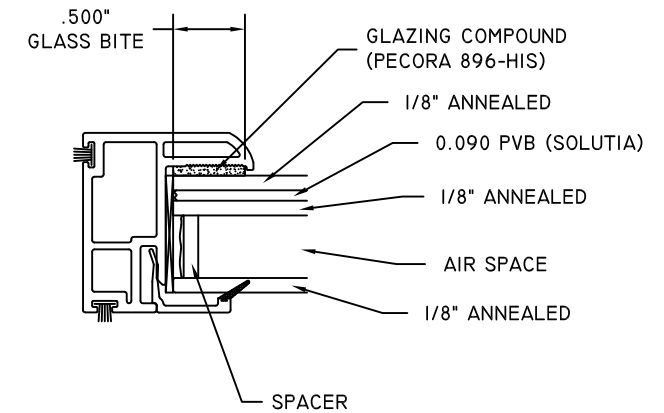
MODEL DESIGNATION: SIMONTON DOUBLE HUNG SERIES 07-20 VINYL IMPACT WINDOW
 MAXIMUM OVERALL NOMINAL SIZE: SEE SIZE CHART
 DESIGN PRESSURE RATING: SEE SIZE CHART
 USABLE CONFIGURATIONS: $\frac{X}{X}$
 GENERAL DESCRIPTION: THE HEAD, SILL, AND SIDE JAMBS ARE EXTRUDED PVC. THE WALL THICKNESS THROUGH WHICH THE ANCHOR SCREW PENETRATES IS A MINIMUM OF 0.070".

NO P.E. SEAL REQUIRED
 INSTALLATION SUPPORTED
 BY AAMA TEST REPORTS

REV. #:	REVISIONS:	REVISED BY:	DATE:
1	ADDED SIZE CHART - EC 18-041.	LMH	05/02/18
2	UPDATED FOR 7TH EDITION 2020 FBC	LMH	11/29/20
.	.	.	.
.	.	.	.
.	.	.	.

NOTES:

- THIS INSTALLATION HAS BEEN EVALUATED FOR USE IN LOCATIONS ADHERING TO THE FLORIDA BUILDING CODE OUTSIDE THE HVHZ, AND WHERE PRESSURE REQUIREMENTS AS DETERMINED BY ASCE 7 MINIMUM DESIGN LOADS FOR BUILDINGS AND OTHER STRUCTURES DO NOT EXCEED THE DESIGN PRESSURE RATINGS HEREIN.
- ALL INTERIOR AND EXTERIOR PERIMETER SURFACES OF THE WINDOW MUST BE CAULKED.
- ANCHOR TYPE, SIZE, SPACING, EMBEDMENT, AND EDGE DISTANCE SHALL BE AS SPECIFIED IN THESE DRAWINGS.
- ANCHOR EMBEDMENT TO SUBSTRATE SHALL BE BEYOND WALL DRESSING OR STUCCO.
- INSTALLATION SCREWS SHOULD BE A MINIMUM OF 3/4" FROM EDGE OF WOOD.
- WOOD BUCKS, AND BUCK FASTENERS, BY OTHERS, SHALL BE PROPERLY DESIGNED AND INSTALLED TO TRANSFER WIND LOADS TO THE STRUCTURE.
- THE RESPONSIBILITY FOR SELECTION OF SIMONTON PRODUCTS TO MEET ANY APPLICABLE LOCAL LAWS, BUILDING CODES, ORDINANCES, OR OTHER SAFETY REQUIREMENTS RESTS SOLELY WITH THE ARCHITECT, BUILDING OWNER, OR CONTRACTOR.
- SHIMS ARE OPTIONAL. MAX. SHIM STACK IS 1/4".
- WHEN USED IN AREAS REQUIRING IMPACT PROTECTION, THIS PRODUCT DOES NOT REQUIRE THE USE OF APPROVED IMPACT RESISTANT SHUTTERS OR OTHER EXTERNAL PROTECTION.
- SEALING AND FLASHING BY OTHERS SHOULD BE APPLIED USING THE ASTM E 2112 METHODOLOGY APPROPRIATE FOR THE OPENING INTO WHICH THE PRODUCT IS BEING INSTALLED. OVERALL WATER PENETRATION RESISTANCE OF THE INSTALLED PRODUCT IS NOT ADDRESSED IN THIS DRAWING AND IS THE RESPONSIBILITY OF OTHERS.
- GLAZING SHALL COMPLY WITH ASTM E 1300.
- ALL FASTENERS PENETRATING INTO PRESSURE TREATED WOOD SHALL BE CAPABLE OF PREVENTING CORROSION DUE TO REACTION WITH PRESSURE TREATMENT CHEMICALS. ANY DISSIMILAR MATERIALS THAT COME INTO CONTACT SHALL BE PROTECTED TO PREVENT REACTIONS IN ACCORDANCE WITH CODE REQUIREMENTS.
- IF 2" X 4" BUCKS ARE USED, ANCHOR SCREWS MAY BE INSERTED THROUGH THE INTERIOR TRACK. ANCHOR SCREWS USED IN EXTERIOR BALANCE TRACK SHOULD BE FLUSH WITH THE VINYL.
- QUANTITY OF ANCHORS ATTACHING THE JAMB TO THE MULLION WILL VARY DEPENDING ON THE HEIGHT OF THE UNIT. DISTANCE BETWEEN ANCHORS MUST NOT EXCEED 12 INCHES ON CENTER.
- DESIGNATION "X" IS FOR OPERABLE PANEL AND "O" IS FOR FIXED PANEL
- USE A BACKER ROD ON ALL JOINTS >3/4" DEEP AND/OR WIDER THAN 1/4". FINISHED CAULK JOINT SHOULD BE A MINIMUM OF 3/8" DEEP.



1" INSULATED ANNEALED IMPACT GLASS
WITH 0.090" PVB INTERLAYER

<p align="center">DISCLOSURE STATEMENT</p> <p>THIS DOCUMENT IS THE PROPERTY OF SIMONTON WINDOWS, WHICH RETAINS ALL PROPRIETARY AND OTHER RIGHTS TO ITS SUBJECT MATTER. THIS DOCUMENT IS PROVIDED TO THE RECIPIENT ON THE EXPRESSED CONDITION THAT IT IS NOT TO BE DISCLOSED, REPRODUCED IN WHOLE OR PART, NOR USED IN CONJUNCTION WITH THE DESIGN, MANUFACTURE OR REPAIR OF GOODS FOR ANYONE OTHER THAN SIMONTON WINDOWS WITHOUT ITS CONSENT. THIS RESTRICTION DOES NOT LIMIT THE RECIPIENT'S RIGHTS TO UTILIZE INFORMATION CONTAINED IN THIS DOCUMENT WHICH IS PROPERLY OBTAINED FROM ANOTHER SOURCE.</p>	MATERIAL:	<p align="center">DIMENSIONAL TOLERANCES UNLESS OTHERWISE SPECIFIED</p> <p>DECIMALS ANGLES</p> <p>.X ± .03 .XX ± .01 .XXX ± .005</p>	<p align="center">SIMONTON® WINDOWS</p> <p>1 Cochrane Avenue Pennsboro, WV 26415</p>	SIZE: B	DRAWING NO.: IN0589	REV.: 2
	RMS FINISH: EXCEPT AS NOTED			ALLOY & TEMPER:	DRAWN BY: LMH	DATE: 10/16/17
FILE: FL 5419	WEIGHT: VOLUME:	FINISH TREATMENT:	SCALE: FIT	SHEET: 2 OF 2	APPR'D BY:	DATE:
	SURFACE AREA: PERIMETER:		SERIES: 07-20 IMPACT DOUBLE HUNG			
			TITLE: 2X BUCK INSTALLATION (AS TESTED)			